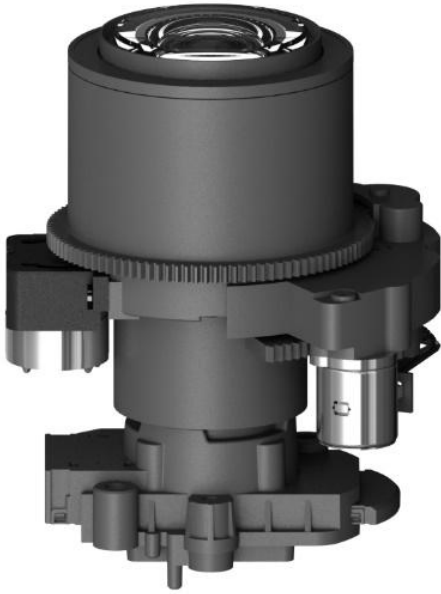


HGS-02-LHR-004A04

HGS KOREA

Vari-Focal Lens Spec



Resolution	5MP	
Focal Length	3.45mm (W) ~ 9.58mm (T)	
F No.	F1.60 (W) ~ F2.80(T)	
Image Circle	φ7.0mm	
Image Format	1/2.7"	
Focus Range	Wide: 0.5m-INF Tele: 0.5m-INF	
Mount	Φ14mm	
Field Angle (1/2.7")	D	130°(Wide)~39.4°(Tele)
	H	106.7°(Wide)~34.3°(Tele)
	V	55.2°(Wide)~19.3°(Tele)
Total Track Length	51.3mm (in air)	
Lens Structure	2G5P	
Optical Distortion	W: -56.1%, T: -4.4%	
Zoom	Stepping Motor	
Focus	Stepping Motor	
Iris	DC-Iris	
IR-CUT	In lens	

Mechanical Outside Drawing

