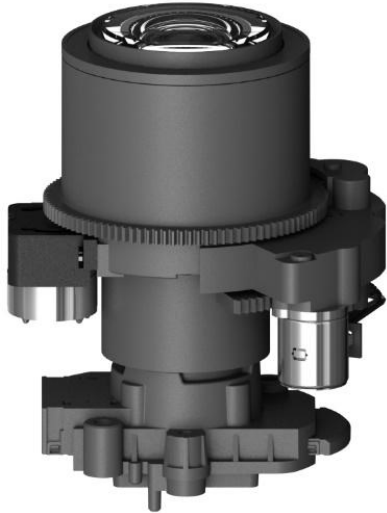


HGS-02-LHR-005A02

HGS KOREA

Vari-Focal Lens Spec



Resolution	4MP	
Focal Length	4.3mm (W) ~ 9.8mm (T)	
F No.	F1.60 (W) ~ F2.60(T)	
Image Circle	Φ9.355mm	
Image Format	1/1.7"	
Focus Range	Wide: 1m-INF Tele: 1m-INF	
Mount	Φ14mm	
Field Angle (1/1.7")	D	136.8°(Wide)~52.6°(Tele)
	H	112.5°(Wide)~45.7°(Tele)
	V	58.7°(Wide)~25.7°(Tele)
Total Track Length	50.92mm (in air) (W)	
Lens Structure	2G6P	
Optical Distortion	W: -56.7%, T: -6.9% (φ8.955mm)	
Zoom	Stepping Motor	
Focus	Stepping Motor	
Iris	DC-Iris	
IR-CUT	In lens	

Mechanical Outside Drawing

