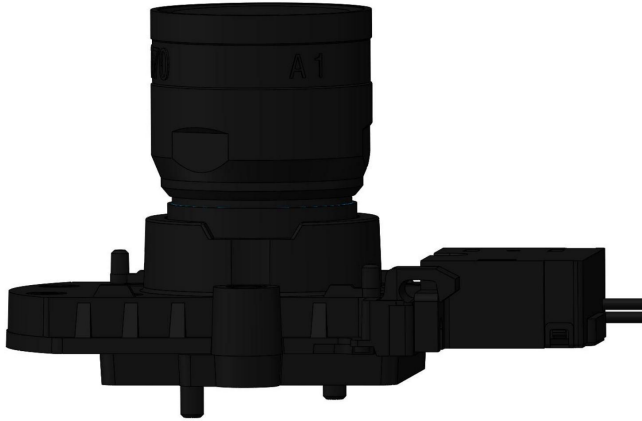


## Fixed Lens Spec



Resolution	4MP	
Focal Length	4.9mm	
F No.	F1.07	
Image Format	1/1.8"(Φ9.2mm)	
Focus Range	0.8m~INF	
Mount	M12*0.5P	
Field Angle Imx678	D	105.8°
	H	90.4°
	V	50.1°
Total Track Length	Φ14×22.52mm	
Lens Structure	2G+2GM+4P	
Optical Distortion	-15%(1/2.7")	
Mechanical Back Focus	MBF=4.28mm(in air)	
Iris	Fixed	
ICR+HOLDER	YES	

## Mechanical Outside Drawing

