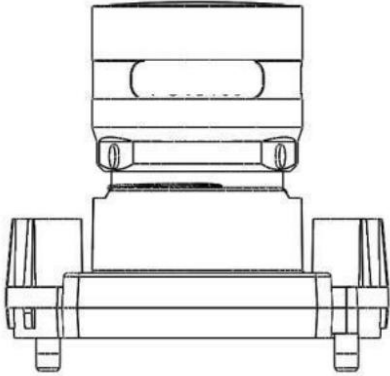


## Fixed Lens Spec



Resolution	4K	
Focal Length	4.3mm	
F No.	F1.07	
Image Format	1/1.8"	
Focus Range	0.8m~INF	
Mount	M12*0.5	
Field Angle 1/1.8"	D	134.9°
	H	110.8°
	V	59.4°
Structure	4G4P	
Total Track Length	22.27mm (in air)	
Mechanical Back Focus	MBF=4mm (in air)	
TV Distortion	-54% (1/1.8" )	
Iris	Fixed	
IR Filter	Red Filter	

## Mechanical Outside Drawing

