

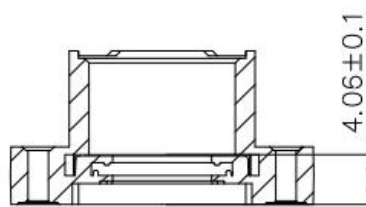
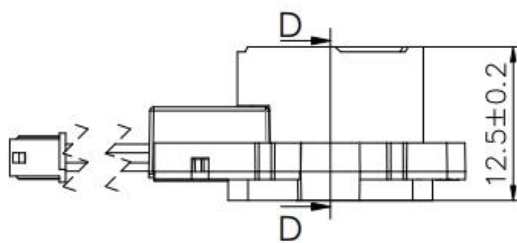
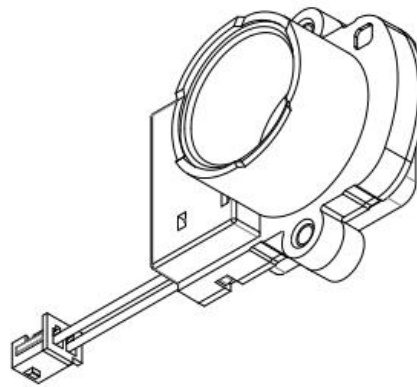
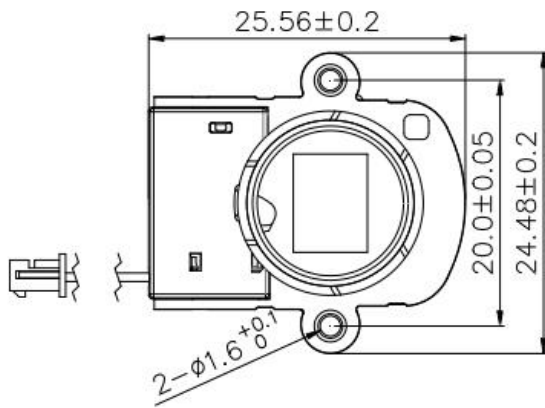
# HGS-12-ICR-002A01

**HGS KOREA**

## IR CUT Spec

Mount	8.0 X 6.0 mm
Hole spacing	20mm
Filter Size	9.1 X 6.3 X 0.21 mm
Drive voltage	3.3V ~ 5V

## Mechanical Outside Drawing



剖面 D-D

