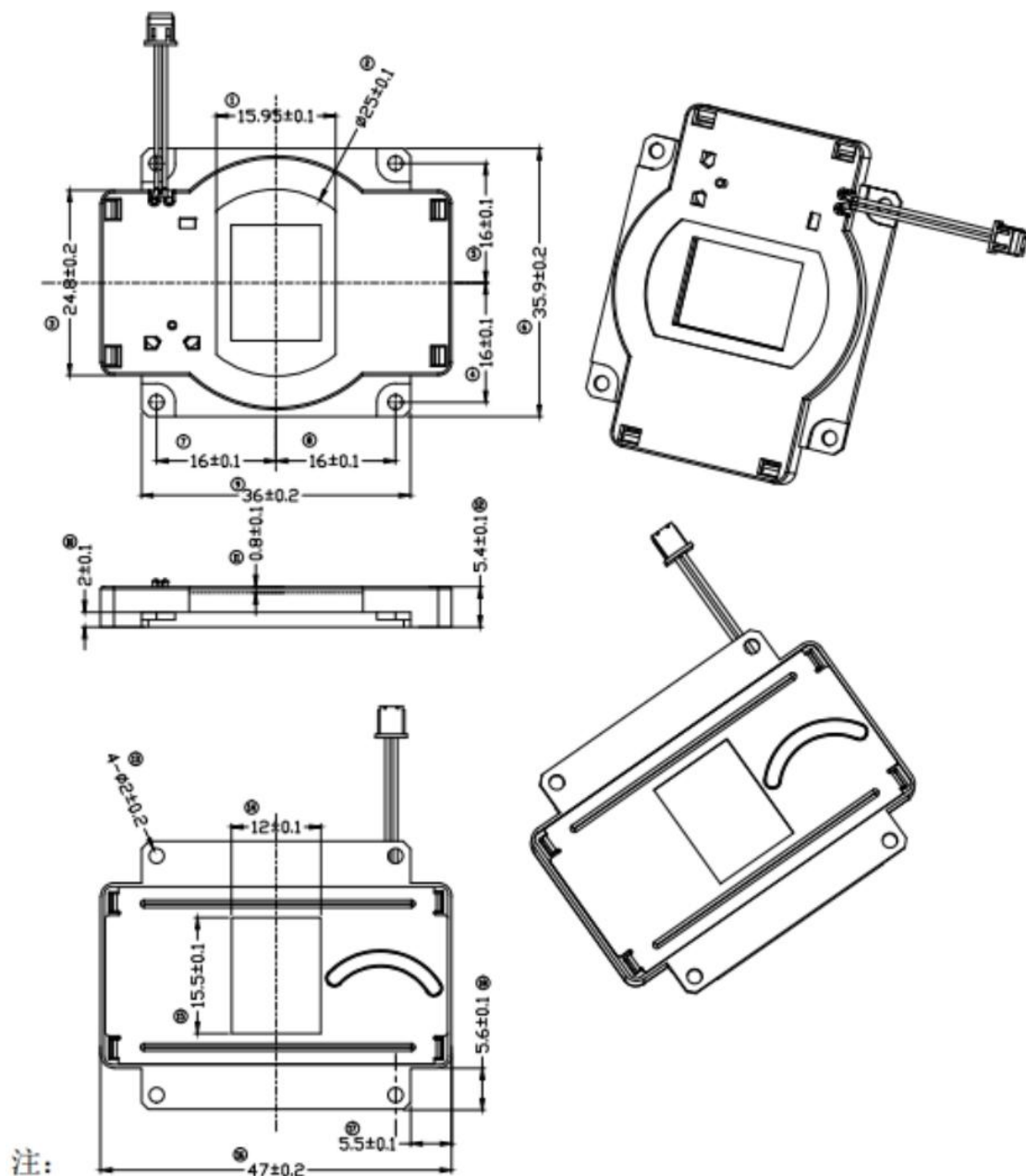


IR CUT Spec

Mount	15 X 12 mm
Hole spacing	32x32mm
Filter Size	17.5X12.5X0.21 mm
Drive voltage	5V~12V

Mechanical Outside Drawing



1: 标注零件球为列管尺寸

2: 物料材质需要符合奇盟有害物质管理标准, 符合HSF/ROHS要求。