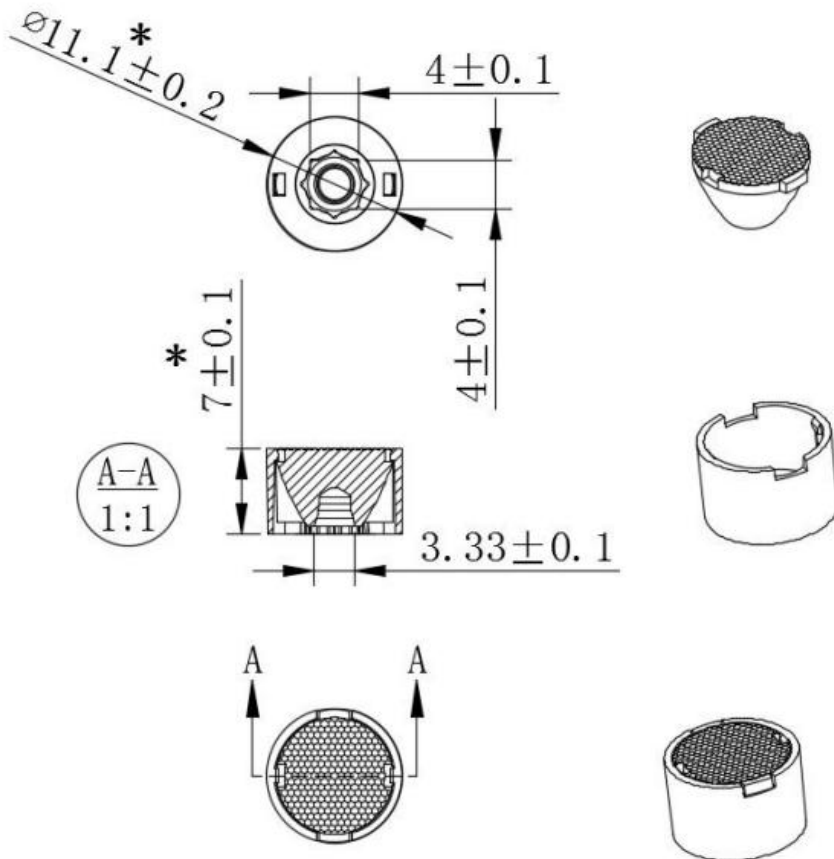


Led Lens Spec



Angle	100°
Features	Black
Sized	φ11.1
Power dissipation	--

Mechanical Outside Drawing



单位: mm
未注公差: $\pm 0.20\text{mm}$